

# ALPHA400C PVD COATING SYSTEM

The door opener for tribological coatings



# ALPHA400C PVD COATING SYSTEM

## DOOR OPENER TO TRIBOLOGY

With the alpha400C coating system, you can produce friction-reducing coatings on reasonably sized parts, especially on carbon-base or MoS<sub>2</sub>-base. The production of nitridic hard coatings with substrate temperatures below 250°C / 482°F are accessible with it as well.

The smallest magnetron sputter system in our range offers you high flexibility and short production cycles. That makes it a perfect fit for R&D divisions in production and universities.

It works great as well in production lines of original part manufacturers (OEM) – with a high throughput of similar-type parts – becoming an integral component of their production system.

## MAIN COATINGS

DLC coatings like:

» SUCASLIDE®      » CARBON-X®

Tribological coatings like:

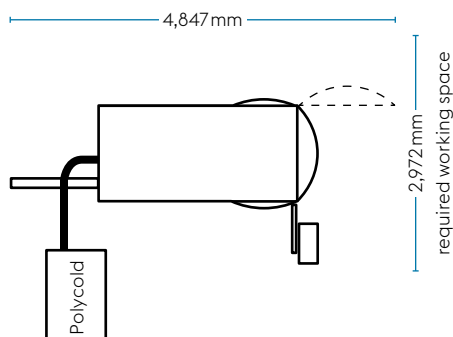
» MoX2®

Optional coatings:

» Nitridic hard coatings

## COMPACT FOOTPRINT

- » small footprint for easy integration in factory floor plan
- » access to all sides for easy maintenance and service



## MAIN BENEFITS

- » high flexibility, high productivity
- » cryopump for faster pumping
- » target shutter system for high reliability
- » access to eifeler's tribological coatings (MoX2®, DLC)
- » simple loading and intuitive operation
- » easy to maintain
- » low operating costs
- » high plasma density

## TECHNICAL DATA

Usable volume	Ø450 mm × 525 mm
Load	max. 300 kg
Coating chamber (L × W × H)	775 × 630 × 750 mm
Dead weight	3,000 kg incl. separate Polycold
Distributed load	850 kg per sqm
Bias	10 kW / max. 700 V DC / pulsed DC
Sputter sources	4 pcs. 643 × 145 mm, 6 kW each
Batches per day	typically 3 – 4 batches
Exemplary batch Endmills (Ø10 × 70 mm)	432 pcs. per batch
Exemplary batch (Ø100 × 150 mm)	24 pcs. per batch
Turntables	different numbers of satellites available



voestalpine eifeler Vacotec GmbH

Hansaallee 321

40549 Düsseldorf, Germany

T. +49 211 522-2440

F. +49 211 522-2480

www.eifeler-vacotec.com

voestalpine

ONE STEP AHEAD.