

# ALPHA400P PVD COATING SYSTEM

The flexible all-rounder for all ARC coatings



# ALPHA400P PVD COATING SYSTEM

## THE FLEXIBLE ALL-ROUNDER

The alpha400P PVD coating system is small and highly flexible. This makes it the ideal equipment for coating centres as a supplement to large-volume coating systems, such as the alpha900P.

In a resharpening or tool manufacturing plant, it efficiently coats hobs, shaper cutters and shank tools – as well as stamping and forming tools.

If you are an original part manufacturer (OEM) with a high throughput of similar-type parts, the alpha400P will work as an integral part of your production line.

## BENEFITS

- » High plasma density
- » High flexibility and productivity
- » Dual evaporators for high production stability and access to mixed-material coatings
- » Simple loading and intuitive operation
- » Easy to maintain
- » Low operation costs
- » Optional: SPCS equipment for access to eifeler's ultrafine coatings with extra smooth and dense surfaces
- » Optional: Duplex-PVD with additional plasma sources for in-situ plasma nitriding

## MAIN COATINGS

ARC coatings like:

- » TiN
- » CrCN
- » EXXTRAL®-plus
- » SISTRAL®
- » VARIANTIC®

## OPTIONAL COATINGS

ARC coatings like:

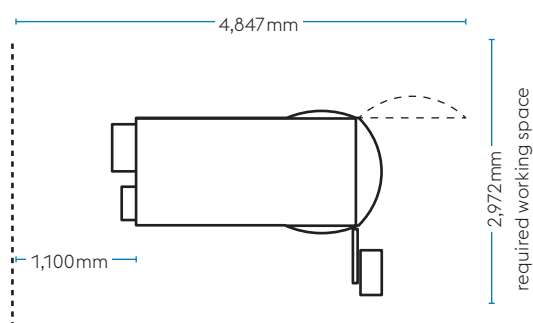
- » Duplex coatings
- » TiN-ultrafine
- » TiCN-ultrafine
- » EXXTRAL®-ultrafine
- » SISTRAL®-ultrafine
- » CROSAL®-plus

## TECHNICAL DATA

Usable volume	Ø 450 mm × 525 mm
Load	Max. 300 kg
Coating chamber (L × W × H)	775 × 700 × 750 mm
Dead weight	3,000 kg
Distributed load	980 kg per sqm
Bias	30 kW / max. 1,000 V DC / pulsed DC
Evaporator sources	12 pcs. with each max. 125 A
Batches per day	Up to 5 batches
Exemplary batch Endmills (Ø 10 × 70 mm)	432 pcs. per batch
Exemplary batch Hobs (Ø 100 × 150 mm)	24 pcs. per batch
Turntables	Different numbers of satellites available

## COMPACT DESIGN

- » Small footprint for easy integration in factory floor plan
- » Access to all sides for easy maintenance and service



voestalpine eifeler Vacotec GmbH

Hansaallee 321  
40549 Düsseldorf, Germany  
T. +49 211 522-2440  
F. +49 211 522-2480  
www.eifeler.com

voestalpine

ONE STEP AHEAD.